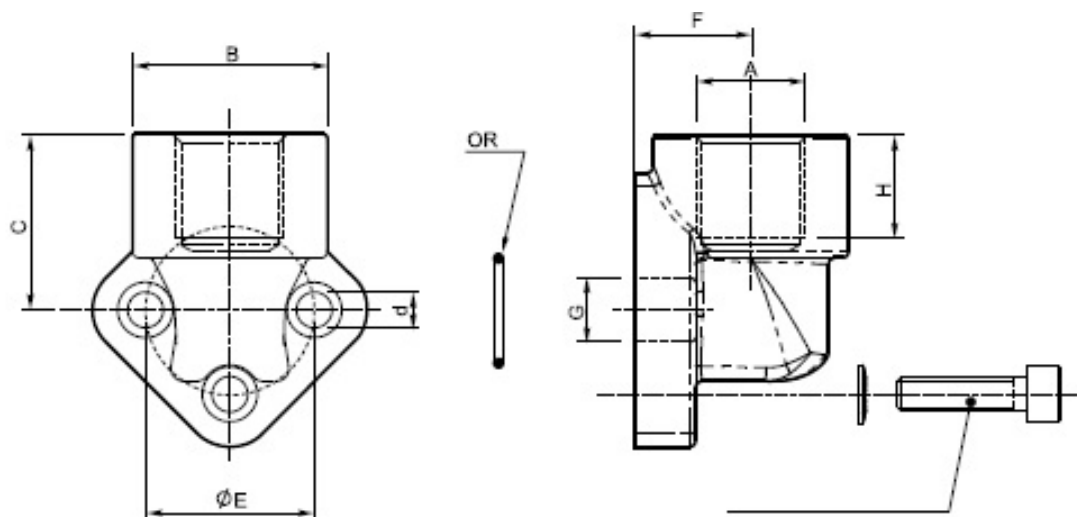


Przylączy kolnierzowe 90° z gwintami wewnętrznymi BSP



| TYP | A - Gwint przyłącza | E - Rozstaw otworów | B | C | d | F | G | H |
|------------|---------------------|---------------------|----|------|------|------|----|----|
| 3/8-26 | G 3/8" | 26mm | 30 | 27,5 | 5,5 | 17 | 11 | 12 |
| 1/2-26 | G 1/2" | 26mm | 30 | 27,5 | 5,5 | 17 | 11 | 12 |
| 3/8-30 | G 3/8" | 30mm | 30 | 27,5 | 6,5 | 17 | 12 | 12 |
| 1/2-30 | G 1/2" | 30mm | 30 | 2,75 | 6,5 | 17 | 12 | 12 |
| 1/2-40 | G 1/2" | 40mm | 38 | 36 | 6,5 | 21 | 19 | 16 |
| 3/4-40 | G 3/4" | 40mm | 38 | 36 | 6,5 | 21 | 19 | 16 |
| 3/4-51 | G 3/4" | 51mm | 45 | 47 | 10,5 | 26 | 25 | 1 |
| 1-51 | G 1" | 51mm | 45 | 47 | 10,5 | 26 | 25 | 18 |
| 1 1/2-72,5 | G 1 1/2" | 72,5mm | 63 | 56 | 13 | 34,5 | 40 | 24 |