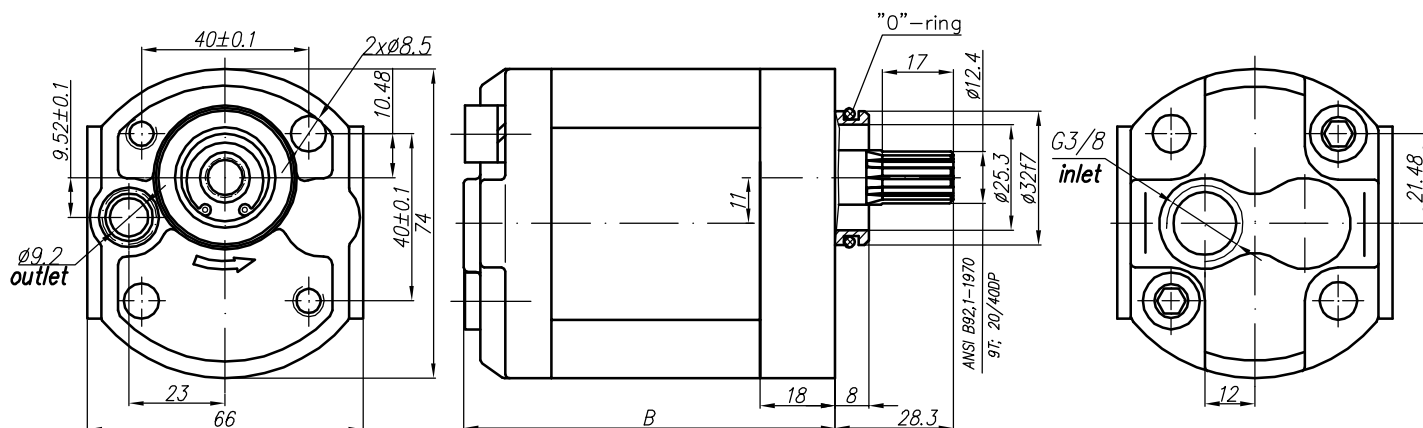
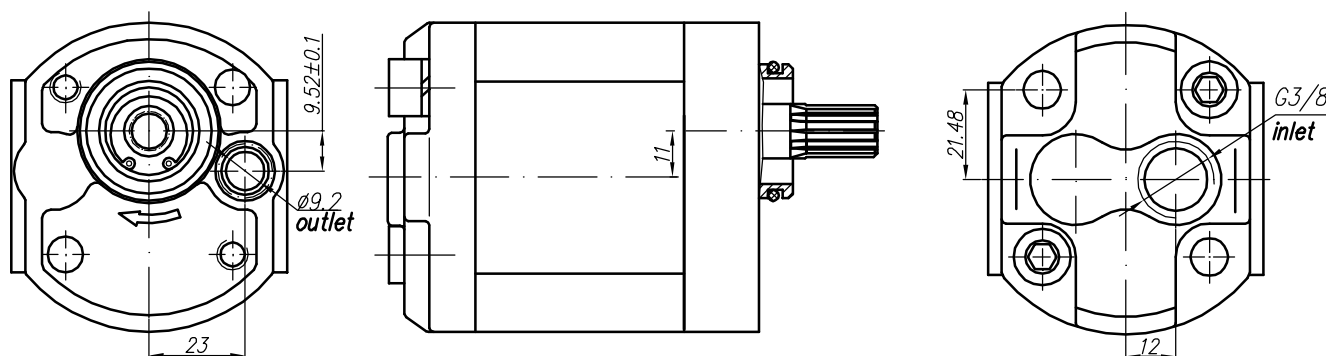


**Rotation "A" - (anticlockwise)**



**Rotation "C" - (clockwise)**



| Type             | Displacement<br>cm <sup>3</sup> /rev | Flow                 |                     | Pressure<br>P <sub>nom</sub><br>bar | max Speed<br>n<br>rpm | Dimension |         |       |   |   |        |  |
|------------------|--------------------------------------|----------------------|---------------------|-------------------------------------|-----------------------|-----------|---------|-------|---|---|--------|--|
|                  |                                      | at 1500 rpm<br>l/min | at max rpm<br>l/min |                                     |                       | A<br>mm   | B<br>mm | Inlet |   |   | Outlet |  |
|                  |                                      |                      |                     |                                     |                       |           |         | M     | G | U |        |  |
| 10A(C)1X459      | 1                                    | 1,40                 | 3,26                | 250                                 | 3500                  | 71        | 81      |       |   |   |        |  |
| 10A(C)1,25X459   | 1,25                                 | 1,74                 | 4,07                | 250                                 | 3500                  | 72        | 82      |       |   |   |        |  |
| 10A(C)1,6X459    | 1,6                                  | 2,23                 | 5,21                | 250                                 | 3500                  | 73,6      | 83,6    |       |   |   |        |  |
| 10A(C)2X459      | 2                                    | 2,82                 | 6,58                | 250                                 | 3500                  | 75,2      | 85,2    |       |   |   |        |  |
| 10A(C)2,5X459    | 2,5                                  | 3,53                 | 8,23                | 250                                 | 3500                  | 77,2      | 87,2    |       |   |   |        |  |
| * 10A(C)2,65X459 | 2,65                                 | 3,74                 | 8,72                | 250                                 | 3500                  | 77,8      | 87,8    |       |   |   |        |  |
| 10A(C)3,15X459   | 3,15                                 | 4,44                 | 10,36               | 250                                 | 3500                  | 79,8      | 89,8    |       |   |   |        |  |
| 10A(C)3,65X459   | 3,65                                 | 5,15                 | 12,01               | 250                                 | 3500                  | 81,9      | 91,9    |       |   |   |        |  |
| 10A(C)4,2X459    | 4,2                                  | 5,92                 | 13,82               | 250                                 | 3500                  | 84,1      | 94,1    |       |   |   |        |  |
| * 10A(C)4,7X459  | 4,7                                  | 6,63                 | 15,46               | 250                                 | 3500                  | 87,1      | 97,1    |       |   |   |        |  |
| 10A(C)5X459      | 5                                    | 7,05                 | 14,10               | 250                                 | 3000                  | 87,2      | 97,2    |       |   |   |        |  |
| 10A(C)5,7X459    | 5,7                                  | 8,12                 | 16,25               | 200                                 | 3000                  | 90,1      | 100,1   |       |   |   |        |  |
| 10A(C)6,1X459    | 6,1                                  | 8,69                 | 14,49               | 200                                 | 2500                  | 91,8      | 101,8   |       |   |   |        |  |
| 10A(C)7,4X459    | 7,4                                  | 10,55                | 17,58               | 180                                 | 2500                  | 97,2      | 107,2   |       |   |   |        |  |
| * 10A(C)8X459    | 8                                    | 11,40                | 15,20               | 150                                 | 2000                  | 99,7      | 109,7   |       |   |   |        |  |
| 10A(C)8,5X459    | 8,5                                  | 12,11                | 16,15               | 150                                 | 2000                  | 101,7     | 111,7   |       |   |   |        |  |
| 10A(C)9,8X459    | 9,8                                  | 13,97                | 18,62               | 120                                 | 2000                  | 107       | 117     |       |   |   |        |  |

\* - These pumps - only under a special order